

# HYDRAULIC PACKAGES

- **HOME LIFTS** TO BS 6400 LIFTS MACHINERY DIRECTIVE 2006 42 EC
- **PASSENGER LIFTS** TO EN81-2 EN81-80
- **GOODS LIFTS** TO LIFTS MACHINERY DIRECTIVE 2006 42 EC

## **SWISS CONTROLLER Supplied complete with**

### **STANDARD SUPPLY**

CONTROLLER HALFWAY BOX  
 SHAFT LOOM  
 TRAILING CABLES  
 CAR TOP CONTROL TO EN81  
 SHAFT POSITIONING (ABSOLUTE)  
 DIAGNOSTICS TOOL

### **OPTIONS INCLUDED**

CAR OPERATING PANEL  
 LANDING OPERATING PANELS  
 HORIZONTAL INDICATORS  
 SHAFT & MACHINE ROOM LIGHTING  
 POWER CABLES & TRUNKING  
 AUTO DIALLER GSM



## **POWER UNIT AND CYLINDER**

### **Supplied complete with**

9.5KW 3 PHASE MOTOR/ 125L/M PUMP  
 HAND PUMP  
 ELECTRONIC OR MANUAL VALVE  
 EN81 GAUGE PORT  
 MANOMETER  
 INTERGRATED A3 WHERE REQUIRED  
 PRESSURE SWITCHES

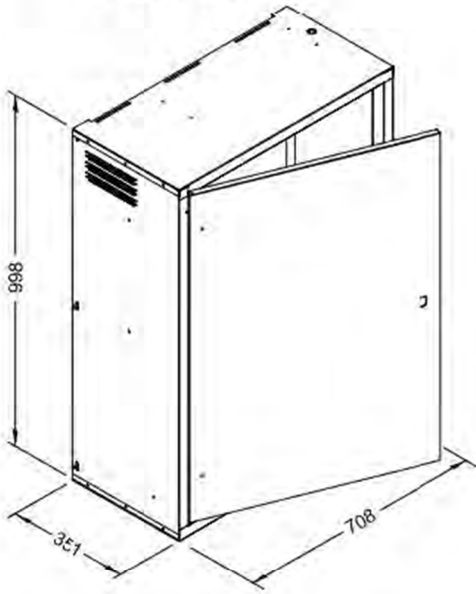
## **SLING PACKAGE**

### **Supplied complete with**

SLING WITH SAFETY GEARS  
 GUIDES CLIPS AND BOLTS  
 GUIDE RAIL BRACKETS  
 RAM STOOL AND BUFFERS  
 OIL POTS  
 ROPES AND HITCHES

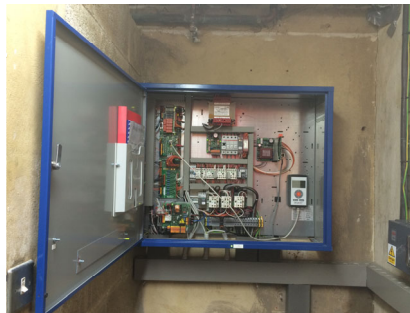
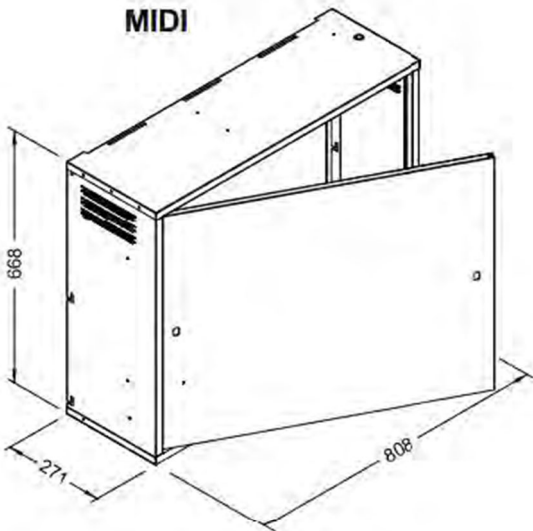


**STANDARD**



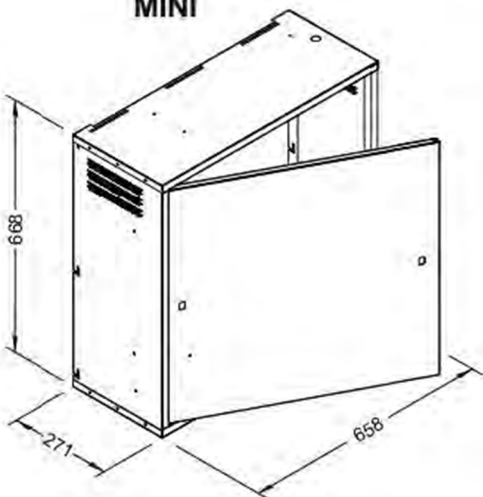
DUPLEX ARRANGEMENT UPTO 4 LIFTS CAN BE LINKED WITH SIMPLE CAN CONNECTION

**MIDI**



MIDI USED ON 630 KG FORMER OTIS HYDRAULIC

**MINI**



MINI USED FOR MACHINE ROOM CABINET AND HOME LIFT APPLICATIONS

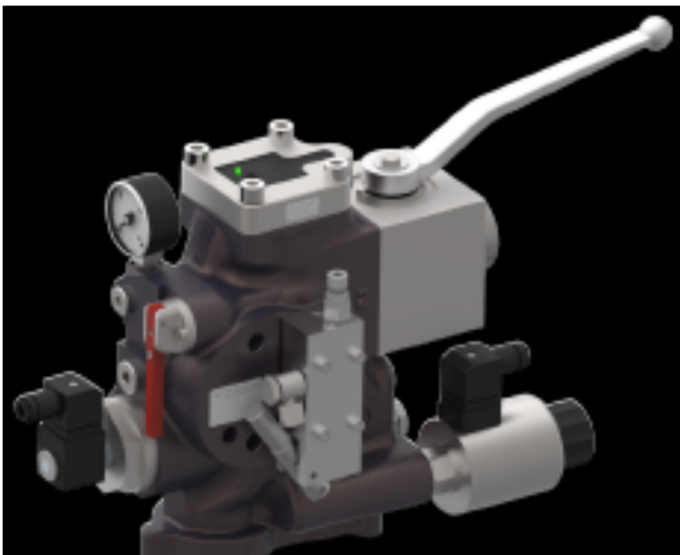
HYDRAULIC TANK IS MOUNTED BELOW THE CONTROLLER WITH THE BASE FORMING A BUND AT ONLY 1500MM TALL AND 700 MM WIDE THIS IS AN IDEAL SOLUTION WHERE SPACE AND IS AT A PREMIUM





*Hydraulic pump unit for elevators directed towards maximum silence and comfort during travel.*

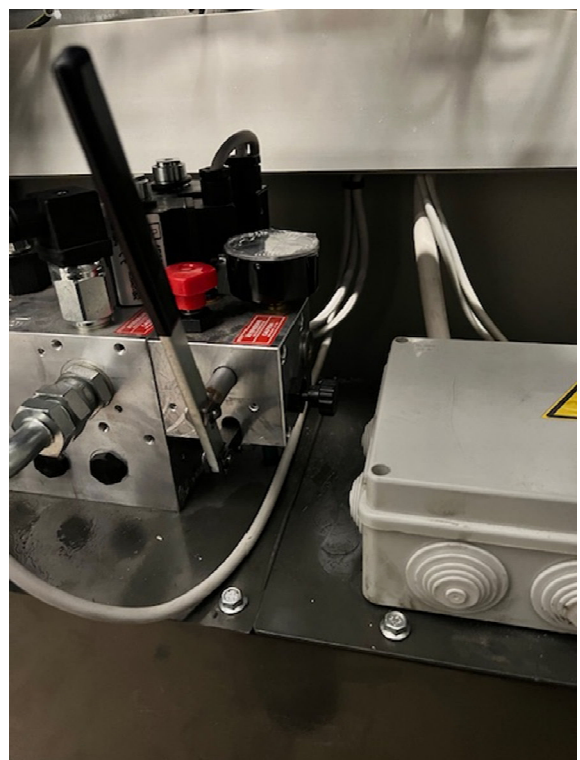
- *Cheap solution*
- *Robust and compact system*
- *Easy to set and maintain, body of the block is modular and friendly accessible*
- *Block has pistons made of hard aluminium for highest reliability*
- *Very quiet with patented system called "KIT SIENZIO"*
- *Approved until 45 bar*
- *Filter is external and adjustable 360°*
- *Installation in cabinet is available on 4 sides*
- *Hand pump for emergency operation is included and easy to access. Remote version available.*
- *Valve with integrated UCM device*
- *Up to 600 l/min; also available in double valve version.*



**MANUAL VALVE FOR HOMELIFT SOLUTIONS**

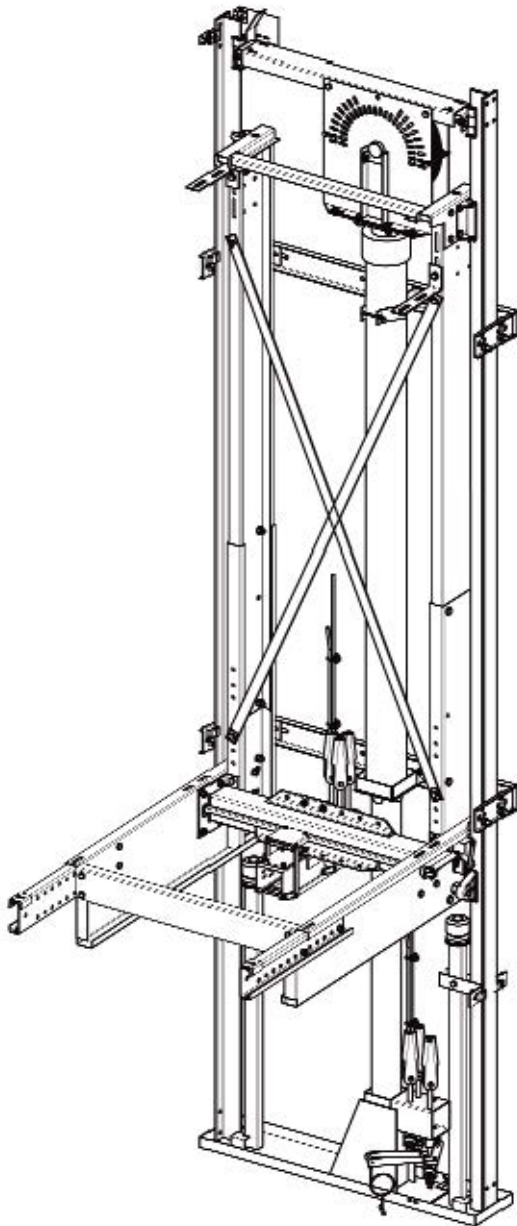
**CS - slim**

- *Cylinder for indirect application with minimum content of oil*
- *Easier handling due to less weight*



## SLING PACKAGES

---



RAM PULLEY & GUARD  
RAM PULLEY ARM WITH SLIDING SHOES  
OVER TRAVEL LIMIT BRACKET  
OVER TRAVEL LIMIT  
OVER TRAVEL LIMIT RAMP FOR MOUNTING ON RAM HEAD  
PULLEY

HOIST WAY ROPES  
ROPE CLIPS  
HEARTS AND WEDGES  
SPLIT PINS  
SPRINGS  
WASHERS  
COLLARS

SLING  
CAR TOP STEADY BRACKETS

CYLINDER BRACKET  
RAM STOOL BRACKET WITH CLIPS  
SAFETY GEARS (INSTANTANEOUS (<0.63M/S))

GUIDES  
GUIDES AVAILABLE IN 5M AND 2.5M LENGTHS  
GUIDE FISH PLATE  
GUIDE FISH PLATE BOLTS WASHERS AND SPRINGS

HITCH  
RAM STOOL CUT TO LENGTH  
HITCH PLATE  
SLACK ROPE TEST DEVICE  
BUFFER STANDS  
CERTIFIED BUFFERS  
SLACK ROPE SWITCH

### OPTIONAL

EN81-21 DEVICES  
LOW PIT AND LOW HEADROOM  
OIL POTS  
ROLLERS FOR CAR SLING

OIL (DELIVERY DIRECT TO SITE ONLY)

PROJECT CALCULATION AND TECHNICAL DRAWINGS LIFT  
CAR  
LANDING AND CAR DOORS

TRANSPORTATION AND STORAGE CAN BE ARRANGED FOR EACH PROJECT  
HI-AB  
MOFFET  
FLAT BED  
TAILLIFT